

eCANTER 7C18e LEFT-HAND DRIVE

MODEL / VEHICLE TYPE

	7C18e				
Cab type / crew	Comfort, single cab / 3				
Battery variant	S	M			
Model variant	84018315	84020515	84020715	84020815	84020915
FUSO model code	FEC7KCLDSEU5	FEC7KELDSEU5	FEC7KGLDSEU5	FEC7KHLDSEU5	FEC7KKLDSEU5

DIMENSIONS [MM]

Wheelbase	2800	3400	3850	4450	4750
Overall length	5218	6014	6691	7191	7741
Cab length	1631				
Width overall	2126				
Cab width	2098				
Height overall	2210	2200		2195	
Track width	Front / rear		1665 / 1660		
Frame height (at end of frame)	212				
Ground clearance	195	255	275	270	
Cab to rear axle	2320	2875	3325	3925	4229
Cab to end of frame	3515	4310	5060	5560	6110
Maximum body length ²⁾	3995	4985	5728	6718	7213
Frame width	850				
Front overhang	1146				
Rear overhang	1195	1395	1695	1595	1845
Front axle to front of body	628	625			
Recommended distance cab to body	100				

WEIGHTS [KG]

Empty weight ¹⁾		2920	3415	3430	3455	3470
	Front / rear	1625 / 1295	1890 / 1525	1930 / 1500	2000 / 1455	2020 / 1450
Gross vehicle weight	7490					
Technical axle loads ¹⁾	Front / rear	3100 / 5990				
Chassis load bearing capacity ²⁾		4570	4075	4060	4035	4020

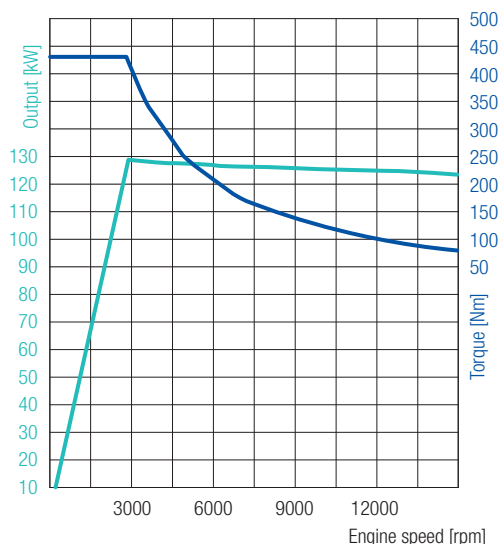
DRIVING PERFORMANCE AND AGILITY

Maximum speed	km/h	89				
Minimum turning circle [m]	Kerb to kerb	10,4	12,4	13,8	15,6	16,6
	Wall to wall	11,8	13,8	15,8	17,2	18,0

1) The weight refers to the base vehicle (European series, including high voltage battery, tyre sealant, tools and driver with 75 kg) without optional equipment. If any optional equipment is added, the weight changes accordingly.

2) Calculated maximum value which should be checked depending on the body and application.

Subject to change without notice. All data is approximate.



eCANTER 7C18e

LEFT-HAND DRIVE

129 kW (175 hp)
430 Nm

ELECTRIC DRIVE

Type	S40		
Peak output / continuous output	129 kW (175 hp) / 110 kW (150 hp)		
Maximum torque / continous torque	430 Nm / 250 Nm		
PTO (optional)	Type	mPTO for pump connection	mPTO for pulley
	Maximum torque	222 Nm at 2000 rpm	64 Nm at 7000 rpm
	Continuous power / torque	17 kW / 166 Nm, maximum 2000 rpm	17 kW / 46 Nm, maximum 7000 rpm
	Gear ratio	0.286	–

HIGH VOLTAGE BATTERY

Battery variant	M	
Capacity usable / installed	kWh	78 / 82
Weight ³⁾	kg	900
Range ⁴⁾	km	140

CHARGING

Connection type / variants	CCS TYP 2 (AC / DC)	
Maximum charging capacity AC / DC	kW	22 / 104
Maximum charging time AC ⁵⁾	0–100 % h:min	4:54
Maximum charging time DC ⁵⁾	20–80 % h:min	0:26
	5–90 % h:min	0:44

POWERTRAIN

Climbing ability	20 %
------------------	------

CHASSIS

Front axle / rear axle	Leaf springs / E-axle	
Tyres	205/75 R 17.5	
Wheel	17.5 x 6.00 - 127	
Steering	Left-hand drive	Recirculating ball steering with power assist, tilting telescopic steering column with steering-wheel lock
Brake	Service brake	Hydraulic with vacuum power assist, dual-circuit with load-dependent brake proportioning valve at rear wheels
	Front / rear	Disc brake (310 x 40 mm / 314 x 35 mm)
	Parking brake	Electromechanical brake caliper on rear disc brake
Suspension	Front / rear	Semi-elliptic leaf springs with shock absorber and stabilizer
Frame	Type	Ladder-type frame with reinforcements and crossmembers
Electrical system	Low voltage batteries	Series 12 V (80 Ah), optional 24 V (80 + 60 Ah)

3) The specified weight includes both the battery(ies) with 325 kg each and the peripheral installations (cabling, temperature control, protection, etc.).

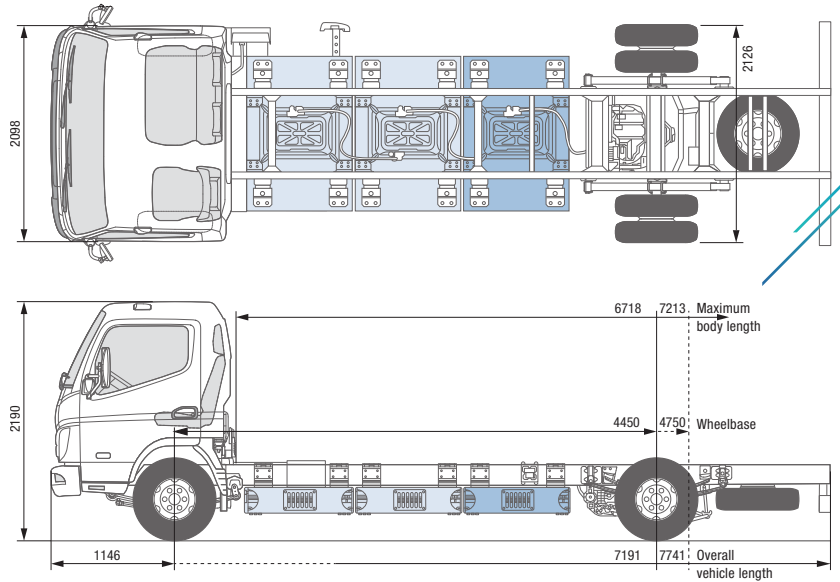
4) The range depends on various factors such as load, driving style, topography, ambient temperature or weather, battery age, vehicle equipment. The actual range may vary.

The given values for the range were tested with a box body, a load of 50 % of the payload, an ambient temperature of 20 °C and an average battery age.

5) The charging time depends on various factors such as the charging capacity of the vehicle and charging station, the battery's state of charge, ambient and battery temperature.

The given values for the charging time were tested under optimum ambient temperature of 20 °C.

The illustrations may contain accessories and items of optional equipment which are not part of the standard specification. The data sheet may contain product types and support services not available in certain countries.



eCANTER 7C18e

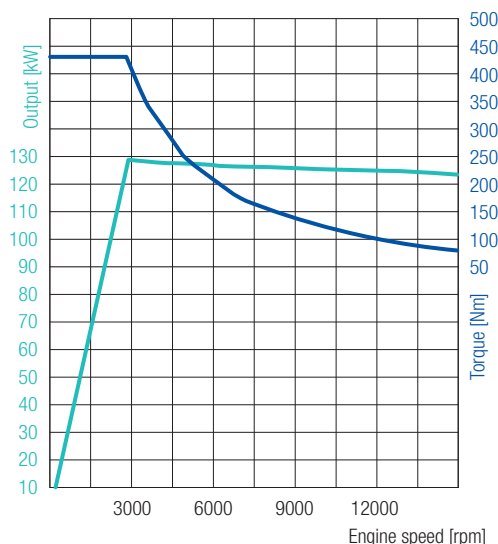
LEFT-HAND DRIVE

MODEL / VEHICLE TYPE		7C18e	
Cab type / crew		Comfort, single cab / 3	
Battery variant		L	
Model variant		84022815	84022915
FUSO model code		FEC7KHLESEU5	FEC7KKLESEU5
DIMENSIONS [MM]			
Wheelbase		4450	4750
Overall length		7191	7741
Cab length			1631
Width overall			2126
Cab width			2098
Height overall			2190
Track width	Front / rear	1665 / 1660	
Frame height (at end of frame)			212
Ground clearance			270
Cab to rear axle		3925	4229
Cab to end of frame		5560	6110
Maximum body length ²⁾		6718	7213
Frame width			850
Front overhang			1146
Rear overhang		1595	1845
Front axle to front of body			625
Recommended distance cab to body			100
WEIGHTS [KG]			
Empty weight ¹⁾		3920	3935
	Front / rear	2135 / 1785	2175 / 1760
Gross vehicle weight		7490	
Technical axle loads ¹⁾	Front / rear	3100 / 5990	
Chassis load bearing capacity ²⁾		3570	3555
DRIVING PERFORMANCE AND AGILITY			
Maximum speed	km/h	89	
Minimum turning circle [m]	Kerb to kerb	15,6	16,6
	Wall to wall	17,2	18,0

¹⁾ The weight refers to the base vehicle (European series, including high voltage battery, tyre sealant, tools and driver with 75 kg) without optional equipment. If any optional equipment is added, the weight changes accordingly.

²⁾ Calculated maximum value which should be checked depending on the body and application.

Subject to change without notice. All data is approximate.



eCANTER 7C18e

LEFT-HAND DRIVE

129 kW (175 hp)
430 Nm

ELECTRIC DRIVE

Type	S40		
Peak output / continuous output	129 kW (175 hp) / 110 kW (150 hp)		
Maximum torque / continous torque	430 Nm / 250 Nm		
PTO (optional)	Type	mPTO for pump connection	mPTO for pulley
	Maximum torque	222 Nm at 2000 rpm	64 Nm at 7000 rpm
	Continuous power / torque	17 kW / 166 Nm, maximum 2000 rpm	17 kW / 46 Nm, maximum 7000 rpm
	Gear ratio	0.286	–

HIGH VOLTAGE BATTERY

Battery variant	L		
Capacity usable / installed	kWh	116 / 124	
Weight ³⁾	kg	1350	
Range ⁴⁾	km	200	

CHARGING

Connection type / variants	CCS TYP 2 (AC / DC)		
Maximum charging capacity AC / DC	kW	22 / 104	
Maximum charging time AC ⁵⁾	0–100 %	h:min	6:00
Maximum charging time DC ⁵⁾	20–80 %	h:min	0:39
	5–90 %	h:min	1:16

POWERTRAIN

Climbing ability	20 %		
------------------	------	--	--

CHASSIS

Front axle / rear axle	Leaf springs / E-axle		
Tyres	205/75 R 17.5		
Wheel	17.5 x 6.00 - 127		
Steering	Left-hand drive	Recirculating ball steering with power assist, tilting telescopic steering column with steering-wheel lock	
Brake	Service brake	Hydraulic with vacuum power assist, dual-circuit with load-dependent brake proportioning valve at rear wheels	
	Front / rear	Disc brake (310 x 40 mm / 314 x 35 mm)	
	Parking brake	Electromechanical brake caliper on rear disc brake	
Suspension	Front / rear	Semi-elliptic leaf springs with shock absorber and stabilizer	
Frame	Type	Ladder-type frame with reinforcements and crossmembers	
Electrical system	Low voltage batteries	Series 12 V (80 Ah), optional 24 V (80 + 60 Ah)	

3) The specified weight includes both the battery(ies) with 325 kg each and the peripheral installations (cabling, temperature control, protection, etc.).

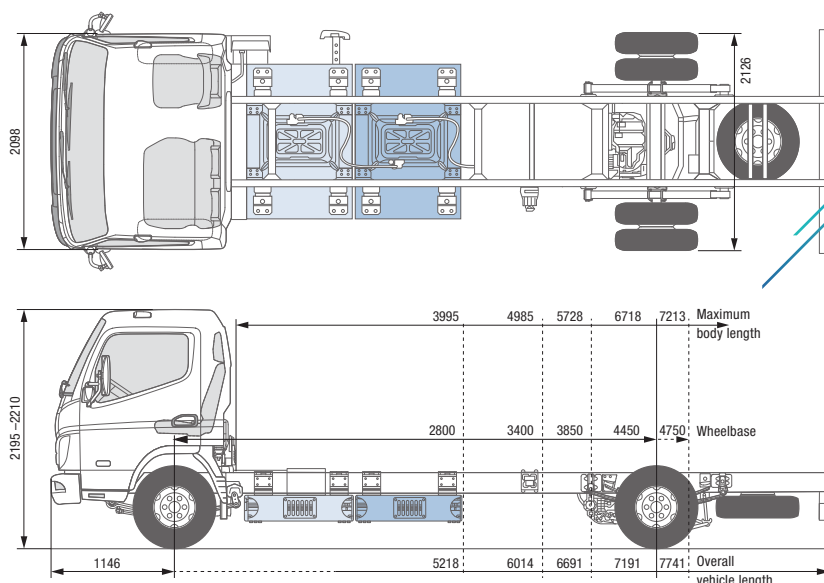
4) The range depends on various factors such as load, driving style, topography, ambient temperature or weather, battery age, vehicle equipment. The actual range may vary.

The given values for the range were tested with a box body, a load of 50 % of the payload, an ambient temperature of 20 °C and an average battery age.

5) The charging time depends on various factors such as the charging capacity of the vehicle and charging station, the battery's state of charge, ambient and battery temperature.

The given values for the charging time were tested under optimum ambient temperature of 20 °C.

The illustrations may contain accessories and items of optional equipment which are not part of the standard specification. The data sheet may contain product types and support services not available in certain countries.



eCANTER 7C18e RIGHT-HAND DRIVE

MODEL / VEHICLE TYPE

	7C18e				
Cab type / crew	Comfort, single cab / 3				
Battery variant	S	M			
Model variant	84018325	84020525	84020725	84020825	84020925
FUSO model code	FEC7KCRDSEU5	FEC7KERDSEU5	FEC7KGRDSEU5	FEC7KHRDSEU5	FEC7KKRDSEU5

DIMENSIONS [MM]

Wheelbase	2800	3400	3850	4450	4750
Overall length	5218	6014	6691	7191	7741
Cab length	1631				
Width overall	2126				
Cab width	2098				
Height overall	2210	2200		2195	
Track width	Front / rear		1665 / 1660		
Frame height (at end of frame)	212				
Ground clearance	195	255	275	270	
Cab to rear axle	2320	2875	3325	3925	4229
Cab to end of frame	3515	4310	5060	5560	6110
Maximum body length ²⁾	3995	4985	5728	6718	7213
Frame width	850				
Front overhang	1146				
Rear overhang	1195	1395	1695	1595	1845
Front axle to front of body	628	625			
Recommended distance cab to body	100				

WEIGHTS [KG]

Empty weight ¹⁾		2920	3415	3430	3455	3470
	Front / rear	1625 / 1295	1890 / 1525	1930 / 1500	2000 / 1455	2020 / 1450
Gross vehicle weight	7490					
Technical axle loads ¹⁾	Front / rear	3100 / 5990				
Chassis load bearing capacity ²⁾		4570	4075	4060	4035	4020

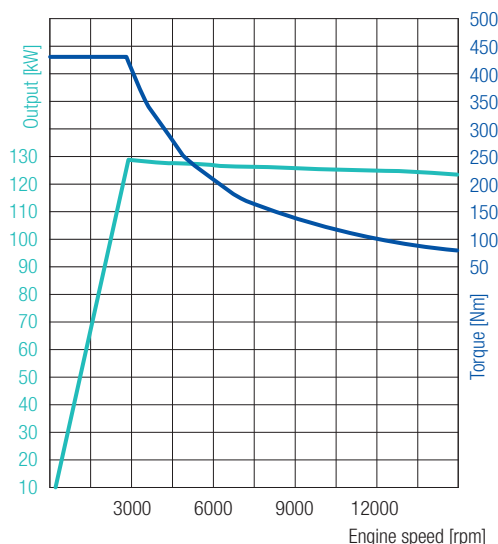
DRIVING PERFORMANCE AND AGILITY

Maximum speed	km/h	89				
Minimum turning circle [m]	Kerb to kerb	10,4	12,4	13,8	15,6	16,6
	Wall to wall	11,8	13,8	15,8	17,2	18,0

¹⁾ The weight refers to the base vehicle (European series, including high voltage battery, tyre sealant, tools and driver with 75 kg) without optional equipment. If any optional equipment is added, the weight changes accordingly.

²⁾ Calculated maximum value which should be checked depending on the body and application.

Subject to change without notice. All data is approximate.



eCANTER 7C18e RIGHT-HAND DRIVE

129 kW (175 hp)
430 Nm

ELECTRIC DRIVE

Type	S40		
Peak output / continuous output	129 kW (175 hp) / 110 kW (150 hp)		
Maximum torque / continuous torque	430 Nm / 250 Nm		
PTO (optional)	Type	mPTO for pump connection	mPTO for pulley
	Maximum torque	222 Nm at 2000 rpm	64 Nm at 7000 rpm
	Continuous power / torque	17 kW / 166 Nm, maximum 2000 rpm	17 kW / 46 Nm, maximum 7000 rpm
	Gear ratio	0.286	–

HIGH VOLTAGE BATTERY

Battery variant	M	
Capacity usable / installed	kWh	78 / 82
Weight ³⁾	kg	900
Range ⁴⁾	km	140

CHARGING

Connection type / variants	CCS TYP 2 (AC / DC)		
Maximum charging capacity AC / DC	kW	22 / 104	
Maximum charging time AC ⁵⁾	0–100 %	h:min	4:54
Maximum charging time DC ⁵⁾	20–80 %	h:min	0:26
	5–90 %	h:min	0:44

POWERTRAIN

Climbing ability	20 %
------------------	------

CHASSIS

Front axle / rear axle	Leaf springs / E-axle		
Tyres	205/75 R 17.5		
Wheel	17.5 x 6.00 - 127		
Steering	Right-hand drive	Recirculating ball steering with power assist, tilting telescopic steering column with steering-wheel lock	
Brake	Service brake	Hydraulic with vacuum power assist, dual-circuit with load-dependent brake proportioning valve at rear wheels	
	Front / rear	Disc brake (310 x 40 mm / 314 x 35 mm)	
	Parking brake	Electromechanical brake caliper on rear disc brake	
Suspension	Front / rear	Semi-elliptic leaf springs with shock absorber and stabilizer	
Frame	Type	Ladder-type frame with reinforcements and crossmembers	
Electrical system	Low voltage batteries	Series 12 V (80 Ah), optional 24 V (80 + 60 Ah)	

3) The specified weight includes both the battery(ies) with 325 kg each and the peripheral installations (cabling, temperature control, protection, etc.).

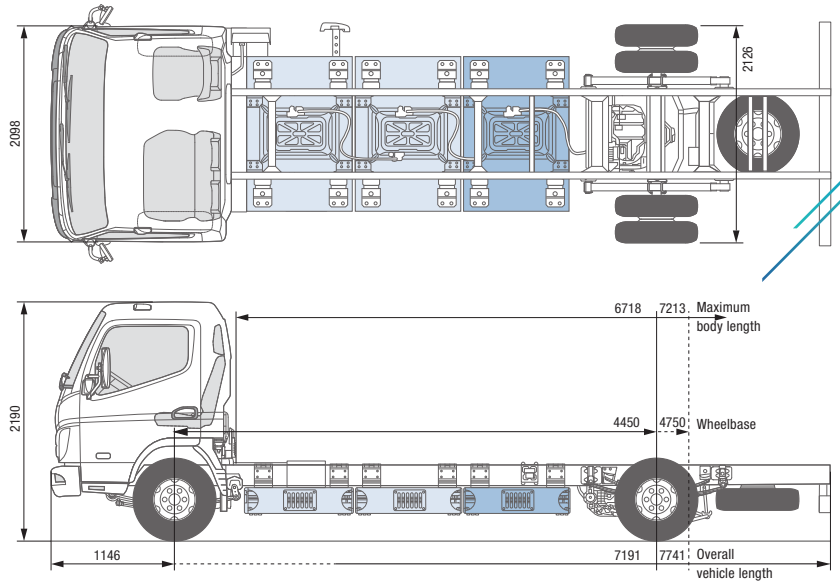
4) The range depends on various factors such as load, driving style, topography, ambient temperature or weather, battery age, vehicle equipment. The actual range may vary.

The given values for the range were tested with a box body, a load of 50 % of the payload, an ambient temperature of 20 °C and an average battery age.

5) The charging time depends on various factors such as the charging capacity of the vehicle and charging station, the battery's state of charge, ambient and battery temperature.

The given values for the charging time were tested under optimum ambient temperature of 20 °C.

The illustrations may contain accessories and items of optional equipment which are not part of the standard specification. The data sheet may contain product types and support services not available in certain countries.



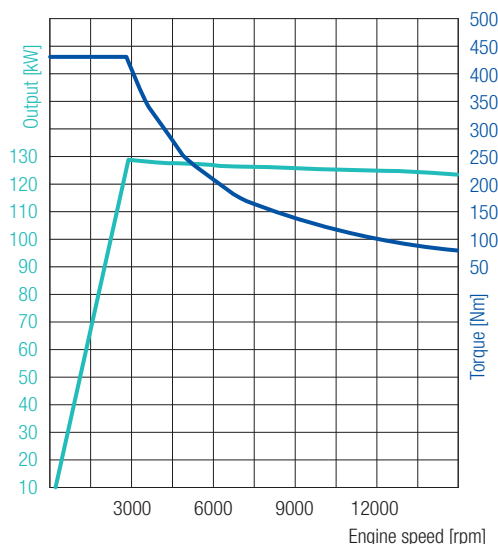
eCANTER 7C18e RIGHT-HAND DRIVE

MODEL / VEHICLE TYPE		7C18e	
Cab type / crew		Comfort, single cab / 3	
Battery variant		L	
Model variant		84022825	84022925
FUSO model code		FEC7KHRESEU5	FEC7KKRESEU5
DIMENSIONS [MM]			
Wheelbase		4450	4750
Overall length		7191	7741
Cab length		1631	
Width overall		2126	
Cab width		2098	
Height overall		2190	
Track width		Front / rear 1665 / 1660	
Frame height (at end of frame)		212	
Ground clearance		270	
Cab to rear axle		3925	4229
Cab to end of frame		5560	6110
Maximum body length ²⁾		6718	7213
Frame width		850	
Front overhang		1146	
Rear overhang		1595	1845
Front axle to front of body		625	
Recommended distance cab to body		100	
WEIGHTS [KG]			
Empty weight ¹⁾		3920	3935
Front / rear		2135 / 1785	2175 / 1760
Gross vehicle weight		7490	
Technical axle loads ¹⁾		Front / rear 3100 / 5990	
Chassis load bearing capacity ²⁾		3570	3555
DRIVING PERFORMANCE AND AGILITY			
Maximum speed		km/h	89
Minimum turning circle [m]		Kerb to kerb	15,6
		Wall to wall	17,2

1) The weight refers to the base vehicle (European series, including high voltage battery, tyre sealant, tools and driver with 75 kg) without optional equipment. If any optional equipment is added, the weight changes accordingly.

2) Calculated maximum value which should be checked depending on the body and application.

Subject to change without notice. All data is approximate.



eCANTER 7C18e RIGHT-HAND DRIVE

129 kW (175 hp)
430 Nm

ELECTRIC DRIVE

Type	S40		
Peak output / continuous output	129 kW (175 hp) / 110 kW (150 hp)		
Maximum torque / continous torque	430 Nm / 250 Nm		
PTO (optional)	Type	mPTO for pump connection	mPTO for pulley
	Maximum torque	222 Nm at 2000 rpm	64 Nm at 7000 rpm
	Continuous power / torque	17 kW / 166 Nm, maximum 2000 rpm	17 kW / 46 Nm, maximum 7000 rpm
	Gear ratio	0.286	–

HIGH VOLTAGE BATTERY

Battery variant	L		
Capacity usable / installed	kWh	116 / 124	
Weight ³⁾	kg	1350	
Range ⁴⁾	km	200	

CHARGING

Connection type / variants	CCS TYP 2 (AC / DC)		
Maximum charging capacity AC / DC	kW	22 / 104	
Maximum charging time AC ⁵⁾	0–100 %	h:min	6:00
Maximum charging time DC ⁵⁾	20–80 %	h:min	0:39
	5–90 %	h:min	1:16

POWERTRAIN

Climbing ability	20 %		
------------------	------	--	--

CHASSIS

Front axle / rear axle	Leaf springs / E-axle		
Tyres	205/75 R 17.5		
Wheel	17.5 x 6.00 - 127		
Steering	Right-hand drive	Recirculating ball steering with power assist, tilting telescopic steering column with steering-wheel lock	
Brake	Service brake	Hydraulic with vacuum power assist, dual-circuit with load-dependent brake proportioning valve at rear wheels	
	Front / rear	Disc brake (310 x 40 mm / 314 x 35 mm)	
	Parking brake	Electromechanical brake caliper on rear disc brake	
Suspension	Front / rear	Semi-elliptic leaf springs with shock absorber and stabilizer	
Frame	Type	Ladder-type frame with reinforcements and crossmembers	
Electrical system	Low voltage batteries	Series 12 V (80 Ah), optional 24 V (80 + 60 Ah)	

3) The specified weight includes both the battery(ies) with 325 kg each and the peripheral installations (cabling, temperature control, protection, etc.).

4) The range depends on various factors such as load, driving style, topography, ambient temperature or weather, battery age, vehicle equipment. The actual range may vary.

The given values for the range were tested with a box body, a load of 50 % of the payload, an ambient temperature of 20 °C and an average battery age.

5) The charging time depends on various factors such as the charging capacity of the vehicle and charging station, the battery's state of charge, ambient and battery temperature.

The given values for the charging time were tested under optimum ambient temperature of 20 °C.

The illustrations may contain accessories and items of optional equipment which are not part of the standard specification. The data sheet may contain product types and support services not available in certain countries.