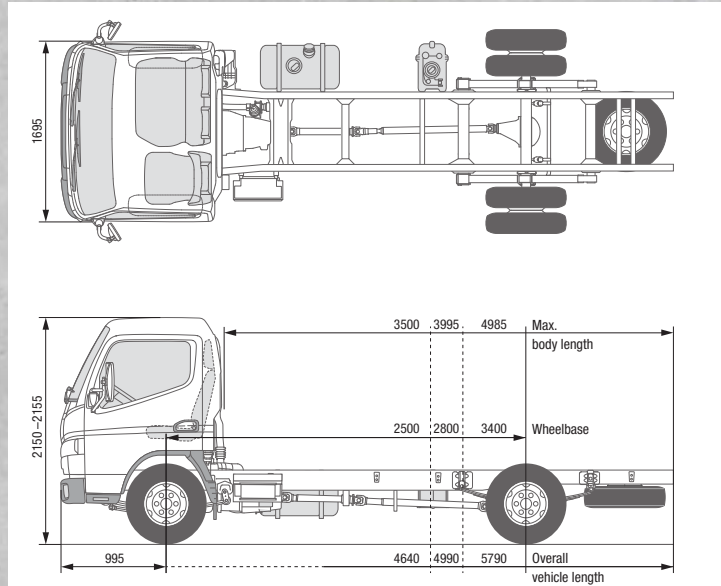




# CANTER 6S15

## LHD



### MODEL / VEHICLE TYPE

	6S15		
Cab type / crew	Standard, single cab / 3		
Model variant	46890212	46890312	46890512
FUSO model code	FEA51BL4SEUT	FEA51CL4SEUT	FEA51EL4SEUT

### DIMENSIONS mm

Wheelbase		2500	2800	3400
Overall length		4640	4990	5790
Cab length			1510	
Width overall			1875	
Cab width			1695	
Height overall		2155	2155	2150
Track width	Front / rear		1390 / 1435	
Frame height (at end of frame)		815	820	805
Ground clearance			165	
Cab to rear axle		1975	2275	2875
Cab to end of frame		3120	3470	4270
Max. body length**		3500	3995	4985
Frame width			700	
Front overhang			995	
Rear overhang		1145	1195	1395
Front axle to front of body			625	
Recommended distance cab to body			100	

### WEIGHTS kg

Empty weight*		2200	2215	2245
	Front* / rear*	1470 / 730	1470 / 745	1510 / 735
Minimum vehicle weight			2355	
Gross vehicle weight / gross combination weight			6000 / 9000	
Axle loads	Front / rear		2300 / 4360	
Towed weight	Braked / unbraked		3000 / 750	
Chassis load bearing capacity		3800	3785	3755

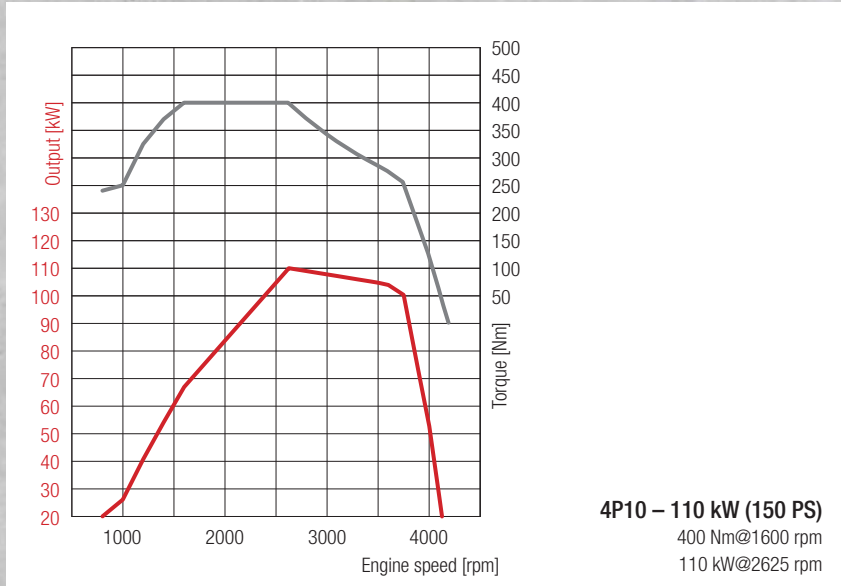
### CALCULATED OUTPUT

Max. speed	km/h		141	
Min. turning circle (m)	Kerb to kerb	10.2	11.4	13.4
	Wall to wall	11.4	12.4	14.6

\* including coolant, oil, 90% fuel, spare wheel, tools and driver weighing 75 kg; \*\* calculated maximum value. Should be checked depending on the body installed and the particular application  
 Subject to change without notice. The information in this data sheet should be considered approximate. The illustrations may show accessories and special equipment not part of the standard specification. This data sheet may also contain models and support services not available in certain countries.



# CANTER 6S15 LHD



**4P10 – 110 kW (150 PS)**  
 400 Nm@1600 rpm  
 110 kW@2625 rpm

## ENGINE (Euro VI)

Type	Water-cooled four-stroke diesel engine with turbocharger, intercooler and direct injection		
No. of cylinders	4/in-line		
Capacity	2998 cm <sup>3</sup>		
Peak output	110 kW (150 hp) / 2625 rpm		
Rated torque	400 Nm / 1600 rpm		
Diesel particulate filter	Service life approx. 300,000 km		
Alternator	Alternating current 12V, 140A		
Exhaust gas aftertreatment	DPF + SCR		
PTO (optional)	Type	31 kW with flange	31 kW for directly connected pumps
	Torque at peak output [Nm]:	196 Nm	
	Gear ratios	1:0.644	1:0.638
	Engine speed at peak output	1500 rpm	

## POWERTRAIN

Transmission	Model	Manual gearbox, 5 forward gears, 1 reverse gear
	Gear ratio	5.494 - 3.193 - 1.689 - 1.000 - 0.723 Rev. 5.494
Rear axle gear ratio	Ratio	4.444

## CHASSIS

Front axle / rear axle	Model	F200T / R030T
	Load-bearing capacity front/rear	2300 kg / 4360 kg
Tyres		205/75R16C 113/111 Q
		Twin tyres at rear
Wheel		16 x 5 1/2K - 115 - 8t - 5 wheel bolts
Steering		LHD
		Recirculating-ball steering with power assist, tilting telescopic steering column with steering-wheel lock
Brake	Service brake	Hydraulic with vacuum power assist, dual-circuit with load-dependent brake proportioning valve at rear wheels
	Front / rear	Disc brake (235 x 40)
	Parking brake	Mechanical expanding brake on drive shaft at rear of transmission
	Auxiliary brake	Exhaust brake (50 kW)
Suspension	Front / rear	Semi-elliptic leaf spring with shock absorber and stabiliser
Frame	Type	Ladder-type frame with reinforcements and crossmembers
Fuel tank capacity		70 litres
Electrical system – batteries		12 Volt (100 AH - 760 A(EN))