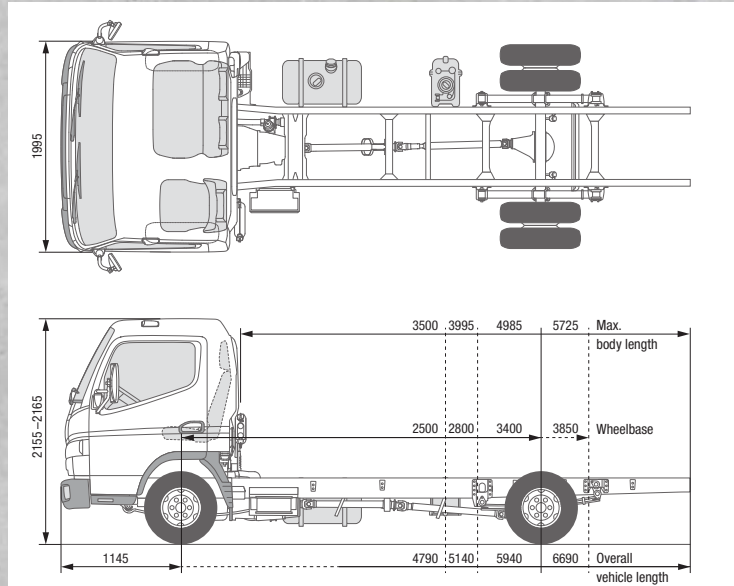




CANTER 3C15

LHD



MODEL / VEHICLE TYPE

	3C15			
Cab type / crew	Comfort, single cab / 3			
Model variant	46886211	46886311	46886511	46886711
FUSO model code	FEB01BL4SEUT	FEB01CL4SEUT	FEB01EL4SEUT	FEB01GL4SEUT

DIMENSIONS mm

Wheelbase	2500	2800	3400	3850
Overall length	4790	5140	5940	6690
Cab length	1625			
Width overall	1995			
Cab width	1995			
Height overall	2165	2160	2160	2155
Track width	Front / rear 1665 / 1500			
Frame height (at end of frame)	755	750	770	
Ground clearance	165			
Cab to rear axle	1975	2275	2875	3325
Cab to end of frame	3120	3470	4270	5020
Max. body length**	3500	3995	4985	5725
Frame width	750			
Front overhang	1145			
Rear overhang	1145	1195	1395	1695
Front axle to front of body	625			
Recommended distance cab to body	100			

WEIGHTS kg

Empty weight*	2015	2030	2055	2065
	Front* / rear*	1465 / 550	1500 / 530	1525 / 530
Minimum vehicle weight	2355			
Gross vehicle weight / gross combination weight	3500 / 7000			
Axle loads	Front / rear 1900 / 2500			
Towed weight	Braked / unbraked 3500 / 750			
Chassis load bearing capacity	1485	1470	1445	1435

CALCULATED OUTPUT

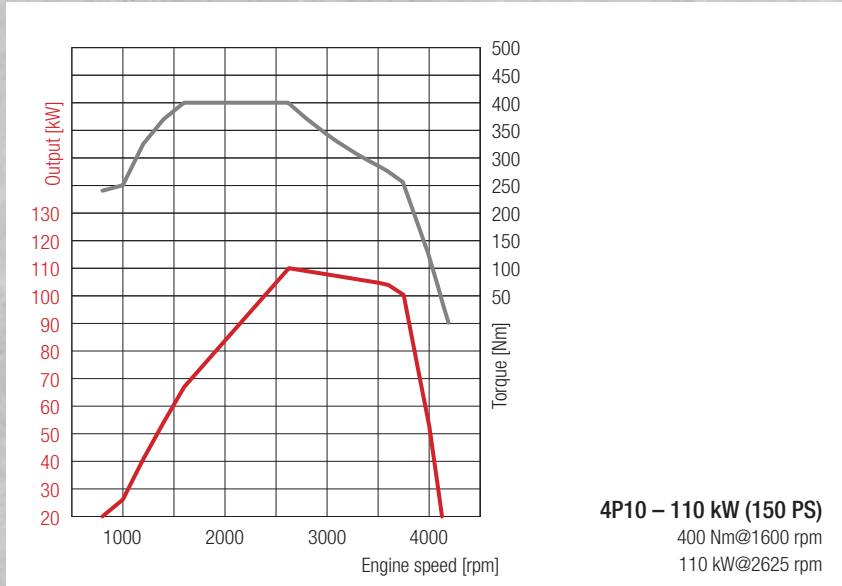
Max. speed	km/h	136		
Min. turning circle (m)	Kerb to kerb	8.6	9.4	11.2
	Wall to wall	10.0	11.0	12.6

* including coolant, oil, 90% fuel, tyre sealant, tools and driver weighing 75 kg; ** calculated maximum value. Should be checked depending on the body installed and the particular application
Subject to change without notice. The information in this data sheet should be considered approximate. The illustrations may show accessories and special equipment not part of the standard specification. This data sheet may also contain models and support services not available in certain countries.



CANTER 3C15

LHD



4P10 – 110 kW (150 PS)
 400 Nm@1600 rpm
 110 kW@2625 rpm

ENGINE (Euro VI)

Type	Water-cooled four-stroke diesel engine with turbocharger, intercooler and direct injection		
No. of cylinders	4/in-line		
Capacity	2998 cm ³		
Peak output	110 kW (150 hp) / 2625 rpm		
Rated torque	400 Nm / 1600 rpm		
Diesel particulate filter	Service life approx. 300,000 km		
Alternator	Alternating current 12V, 140A		
Exhaust gas aftertreatment	DPF + SCR		
PTO (optional)	Type	31 kW with flange	31 kW for directly connected pumps
	Torque at peak output [Nm]:	196 Nm	
	Gear ratios	1:0.644	1:0.638
	Engine speed at peak output	1500 rpm	

POWERTRAIN

Transmission	Model	Manual gearbox, 5 forward gears, 1 reverse gear
	Gear ratio	5.494 - 3.193 - 1.689 - 1.000 - 0.723 Rev. 5.494
Rear axle gear ratio	Ratio	4.111

CHASSIS

Front axle / rear axle	Model	F100T / R015T
	Load-bearing capacity front/rear	1900 kg / 2500 kg
Tyres		195/75R16C 107/105 R
		Twin tyres at rear
Wheel		16 x 5 JK - 110
Steering		LHD
		Recirculating-ball steering with power assist, tilting telescopic steering column with steering-wheel lock
Brake	Service brake	Hydraulic with vacuum power assist, dual-circuit with load-dependent brake proportioning valve at rear wheels
	Front / rear	Disc brake (217 x 24)
	Parking brake	Mechanical expanding brake on drive shaft at rear of transmission
	Auxiliary brake	Exhaust brake (50 kW)
Suspension	Front / rear	Independent wheel suspension (coil spring) with shock absorber / semi-elliptic leaf spring with shock absorber and stabiliser
Frame	Type	Ladder-type frame with reinforcements and crossmembers
Fuel tank capacity		70 litres
Electrical system – batteries		12 Volt (100 AH - 760 A(EN))