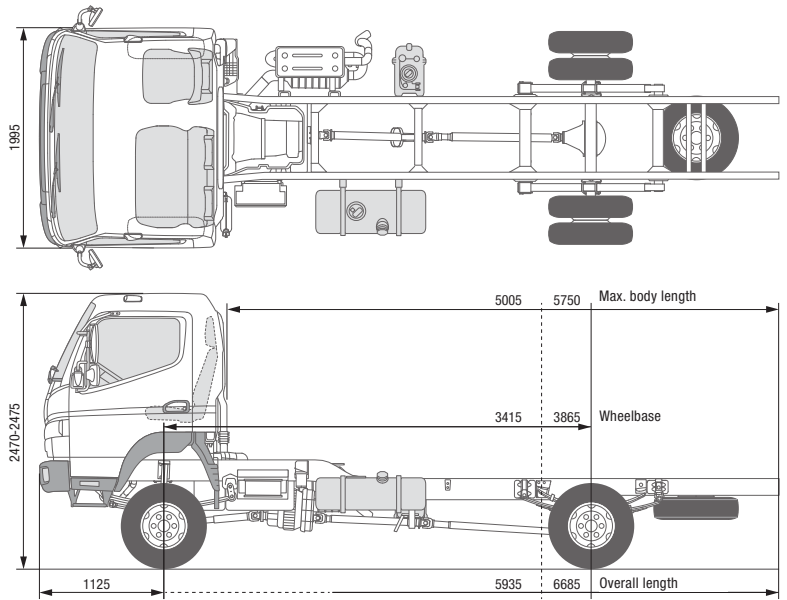




CANTER 6C18 4X4 RHD



Dimensions			
Model	Vehicle model	6C18 4x4	
	Cab type / crew	Comfort, single cab / 3	
	Model variant	46869522	46869722
	FUSO model code	FG71ER6SEU8	FG71GR6SEU8

DIMENSIONS mm			
Wheelbase	3415	3865	
Overall length	5935	6685	
Cab length		1625	
Width overall		2025	
Cab width		1995	
Height overall	2475	2470	
Track width	Front / rear	1665 / 1560	
Frame height (at end of frame)		890	895
Cab to rear axle		2890	3340
Cab to end of frame		4285	5035
Max. body length**		5005	5750
Frame width			750
Front overhang			1125
Rear overhang		1395	1695
Front axle to front of body			625
Recommended distance cab to body			100

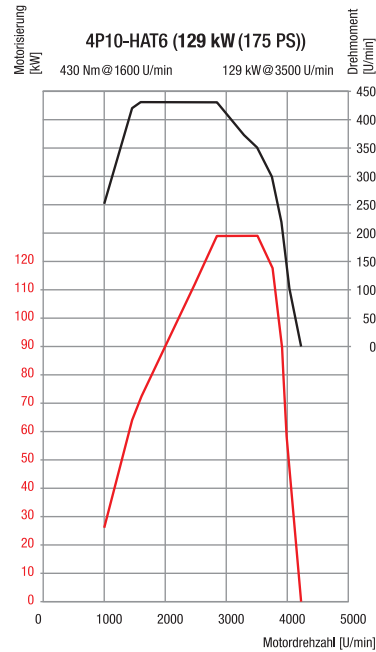
WEIGHTS kg					
Empty weight*		2820	2840		
	Front* / rear*	1860	960	1875	965
Minimum vehicle weight		2900			
Gross vehicle weight / gross combination weight		6500 / 10,000			
Axle loads	Front / rear	2800 / 5125	2800 / 5070		
Towed weight	Braked / unbraked	3500 / 750			
Chassis load bearing capacity		3680	3660		

CALCULATED OUTPUT			
Max. speed	km/h	130	
Max. climbing ability	(tan q)%	60	
Min. turning circle (m)	Kerb to kerb	13.5	15.1
	Wall to wall	14.9	16.5

GROUND CLEARANCES AND APPROACH/DEPARTURE ANGLES		
Ground clearance under axles	Front / rear	210 / 185
Approach angle		35°
Departure angle		25°



CANTER 6C18 4X4 RHD



Engine/Drivetrain/Chassis		
ENGINE (Euro VI)		
Type	Water-cooled four-stroke diesel engine with turbocharger, intercooler and direct injection	
No. of cylinders	4/in-line	
Capacity	2998 cc	
Peak output	129 kW (175 hp) / 3500 rpm	
Rated torque	430 Nm / 1600 rpm	
Diesel particulate filter	Service life approx. 300,000 km	
Alternator	Alternating current 12V, 140A	
Exhaust gas aftertreatment	SCR + DPF	
Fuel consumption	Total	Dependent on chassis equipment and installed bodies
Emissions	Total	Dependent on reference dimension
PTO (optional)	Type	31 kW with flange 31 kW for directly connected pumps
	Torque at peak output [Nm]:	196 Nm
	Gear ratios	1:0.644 1:0.638
	Engine speed at peak output	1500 rpm

POWERTRAIN		
Transmission / all-wheel drive	Type	Manual gearbox, 5 forward gears, 1 reverse gear
	Gear ratio	5.494 - 3.193 - 1.689 - 1.000 - 0.723 Rev. 5.494
	Torque split 4x4	60% front / 40% rear
Final reduction gear	Ratio	4.875

CHASSIS		
Front axle / rear axle	Model	F200TW / R035T
Tyres		205/75R17.5C 124/122 M
		Single tyres at front, twin tyres at rear, tyres with optimised rolling resistance
Wheel		17.5 x 6.00 - 127 - 9t - 6 wheel bolts
Steering		LHD
		Recirculating-ball steering with power assist, tilting telescopic steering column with steering-wheel lock Hydraulic
Brake	Service brake	with vacuum power assist, dual-circuit with load-dependent brake proportioning valve at rear wheels Drum brake
	Front / rear	(320 x 75.2L) / drum brake (320 x 110)
	Parking brake	Mechanical expanding brake on drive shaft at rear transmission
	Auxiliary brake	Exhaust brake (50kW)
Suspension	Front / rear	semi-elliptic leaf spring with shock absorber and stabiliser
Frame	Type	100 litres
Fuel tank capacity		12 Volt (100 AH - 760 A(EN))

Electrical system – batteries

* including coolant, oil, 90% fuel, tyre sealant, tools and driver weighing 75 kg; ** calculated maximum value. Should be checked depending on the body installed and the particular application
Subject to change without notice. The information in this data sheet should be considered approximate. The illustrations may show accessories and special equipment not part of the standard specification. This data sheet may also contain models and support services not available in certain countries.