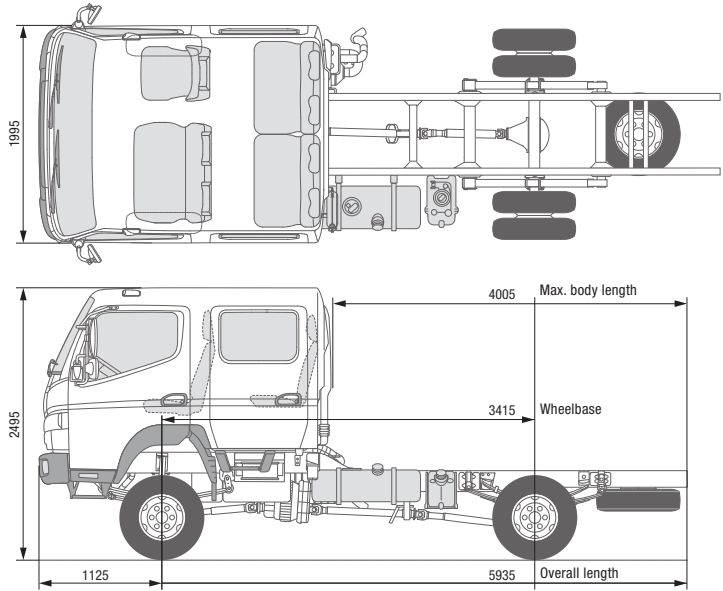




CANTER 6C18D 4X4 RHD



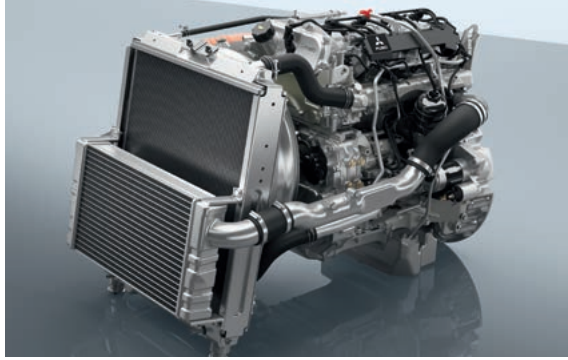
Dimensions		
Model	Vehicle model	6C18D 4x4
	Cab type / crew	Comfort, crew cab / 7
	Model variant	46869524
	FUSO model code	FG71ER6WEU8

DIMENSIONS mm		
Wheelbase	3415	
Overall length	5935	
Cab length	2625	
Width overall	2025	
Cab width	1995	
Height overall	2495	
Track width	Front / rear	1665 / 1560
Frame height (at end of frame)	890	
Cab to rear axle	1890	
Cab to end of frame	3285	
Max. body length**	4005	
Frame width	750	
Front overhang	1125	
Rear overhang	1395	
Front axle to front of body	1625	
Recommended distance cab to body	100	

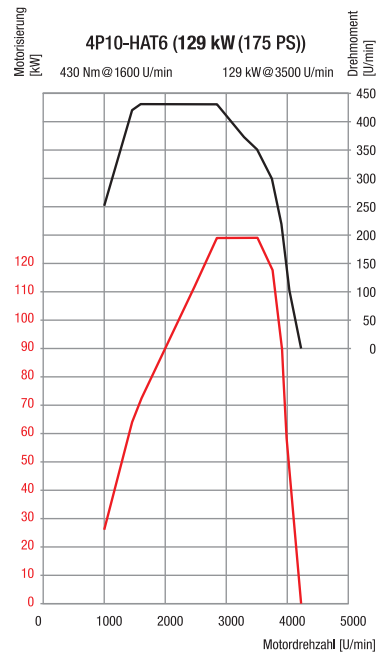
WEIGHTS kg		
Empty weight*	3040	
	Front* / rear*	1995 / 1045
Minimum vehicle weight	3100	
Gross vehicle weight / gross combination weight	6500 / 10,000	
Axle loads	Front / rear	2800 / 5000
Towed weight	Braked / unbraked	3500 / 750
Chassis load bearing capacity	3460	

CALCULATED OUTPUT		
Max. speed	km/h	130
Max. climbing ability	(tan q)%	60
Min. turning circle (m)	Kerb to kerb	13.5
	Wall to wall	14.9

GROUND CLEARANCES AND APPROACH/DEPARTURE ANGLES		
Ground clearance under axles	Front / rear	210 / 185
Approach angle	35°	
Departure angle	25°	



CANTER 6C18D 4X4 RHD



Engine/Drivetrain/Chassis

ENGINE (Euro VI)		
Type	Water-cooled four-stroke diesel engine with turbocharger, intercooler and direct injection	
No. of cylinders	4/in-line	
Capacity	2998 cc	
Peak output	129 kW (175 hp) / 3500 rpm	
Rated torque	430 Nm / 1600 rpm	
Diesel particulate filter	Service life approx. 300,000 km	
Alternator	Alternating current 12V, 140A	
Exhaust gas aftertreatment	SCR + DPF	
Fuel consumption	Total	Dependent on chassis equipment and installed bodies
Emissions	Total	Dependent on reference dimension
PTO (optional)	Type	31 kW with flange 31 kW for directly connected pumps
	Torque at peak output [Nm]:	196 Nm
	Gear ratios	1:0.644 1:0.638
	Engine speed at peak output	1500 rpm

POWERTRAIN

Transmission / all-wheel drive	Type	Manual gearbox, 5 forward gears, 1 reverse gear
	Gear ratio	5.494 - 3.193 - 1.689 - 1.000 - 0.723 Rev. 5.494
	Torque split 4x4	60% front / 40% rear
Final reduction gear	Ratio	4.875

CHASSIS

Front axle / rear axle	Model	F200TW / R035T
Tyres		205/75R17.5C 124/122 M
		Single tyres at front, twin tyres at rear, tyres with optimised rolling resistance
Wheel		17.5 x 6.00 - 127 - 9t - 6 wheel bolts
Steering		LHD
		Recirculating-ball steering with power assist, tilting telescopic steering column with steering-wheel lock Hydraulic
Brake	Service brake	with vacuum power assist, dual-circuit with load-dependent brake proportioning valve at rear wheels Drum brake
	Front / rear	(320 x 75.2L) / drum brake (320 x 110)
	Parking brake	Mechanical expanding brake on drive shaft at rear transmission
	Auxiliary brake	Exhaust brake (50kW)
Suspension	Front / rear	semi-elliptic leaf spring with shock absorber and stabiliser
Frame	Type	100 litres
Fuel tank capacity		12 Volt (100 AH - 760 A(EN))

Electrical system – batteries

* including coolant, oil, 90% fuel, tyre sealant, tools and driver weighing 75 kg; ** calculated maximum value. Should be checked depending on the body installed and the particular application

Subject to change without notice. The information in this data sheet should be considered approximate. The illustrations may show accessories and special equipment not part of the standard specification. This data sheet may also contain models and support services not available in certain countries.