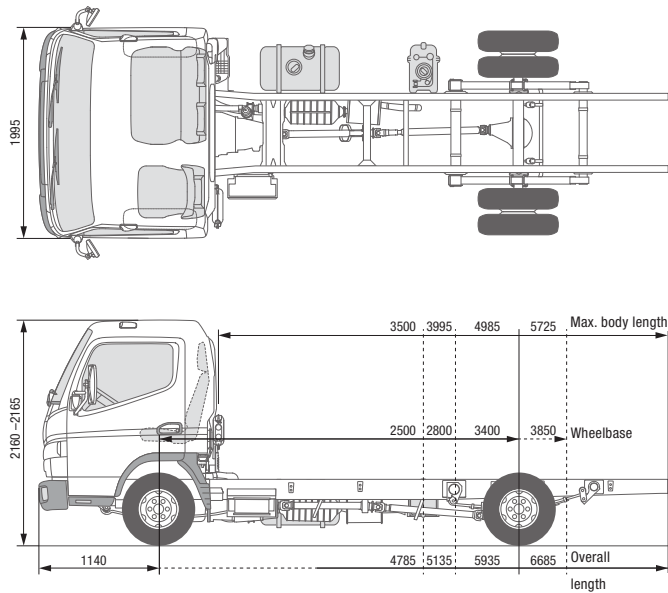




CANTER 3C15 LHD

Dimensions

Model	Vehicle model	3C15			
	Cab type / crew	Comfort, single cab / 3			
	Model variant	46866211	46866311	46866511	46866711
	FUSO model code	FEB01BL4SEU7	FEB01CL4SEU7	FEB01EL4SEU7	FEB01GL4SEU7



DIMENSIONS mm					
Wheelbase		2500	2800	3400	3850
Overall length		4785	5135	5935	6685
Cab length		1625			
Width overall		1995			
Cab width		1995			
Height overall		2165	2165	2160	2155
Track width	Front / rear	1665 / 1500			
Frame height (at end of frame)		755	755	770	
Ground clearance		165			
Cab to rear axle		1975	2275	2875	3325
Cab to end of frame		3120	3470	4270	5020
Max. body length**		3500	3995	4985	5725
Frame width		750			
Front overhang		1140			
Rear overhang		1145	1195	1395	1695
Front axle to front of body		625			
Recommended distance cab to body		100			

WEIGHTS kg									
Empty weight*		2015	2030		2055		2065		
	Front* / rear*	1465	550	1500	530	1525	530	1535	530
Minimum vehicle weight		2200	2270		2305		2320		
Gross vehicle weight / gross combination weight		3500 / 7000							
Axle loads	Front / rear	1900 / 2500							
Towed weight	Braked / unbraked	3500 / 750							
Chassis load bearing capacity		1485	1470		1445		1435		

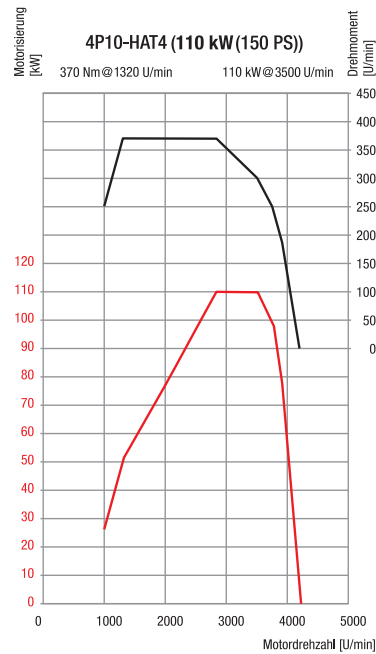
CALCULATED OUTPUT					
Max. speed	km/h	139			
Max. climbing ability	(tan q)%	57.5			
Min. turning circle (m)	Kerb to kerb	8.6	9.4	11.2	12.4
	Wall to wall	10.0	11.0	12.6	14.0

* including coolant, oil, 90% fuel, tyre sealant, tools and driver weighing 75 kg; ** calculated maximum value. Should be checked depending on the body installed and the particular application
Subject to change without notice. The information in this data sheet should be considered approximate. The illustrations may show accessories and special equipment not part of the standard specification. This data sheet may also contain models and support services not available in certain countries.



CANTER 3C15

LHD



Engine/Drivetrain/Chassis

ENGINE (Euro VI)		
Type	Water-cooled four-stroke diesel engine with turbocharger, intercooler and direct injection	
No. of cylinders	4/in-line	
Capacity	2998 cc	
Peak output	110 kW (150 hp) / 3500 rpm	
Rated torque	370 Nm / 1320 rpm	
Diesel particulate filter	Service life approx. 300,000 km	
Alternator	Alternating current 12V, 140A	
Exhaust gas aftertreatment	DPF + SCR	
Fuel consumption	Urban • Inter-urban • Combined	Euro VI: 9.7 l/100 km • 8.5 l/100 km • 8.9 l/100 km
Emissions	Urban • Inter-urban • Combined	Euro VI: 255 g/km CO ₂ • 223 g/km CO ₂ • 235 g/km CO ₂
PTO (optional)	Type	31 kW with flange 31 kW for directly connected pumps
	Torque at peak output [Nm]:	196 Nm
	Gear ratios	1:0.644 1:0.638
	Engine speed at peak output	1500 rpm

POWERTRAIN		
Transmission	Model	Manual gearbox, 5 forward gears, 1 reverse gear
	Gear ratio	5.494 - 3.193 - 1.689 - 1.000 - 0.723 Rev. 5.494
Final reduction gear	Ratio	3.909

CHASSIS		
Front axle / rear axle	Model	F100T / R015T
	Load-bearing capacity	1900 kg / 2500 kg
Tyres		195/75R16C 107/105 R
		Single tyres at front, twin tyres at rear
Wheel		16 x 5 JK - 110
Steering		LHD
		Recirculating-ball steering with power assist, tilting telescopic steering column with steering-wheel lock
Brake	Service brake	Hydraulic with vacuum power assist, dual-circuit with load-dependent brake proportioning valve at rear wheels
	Front / rear	Disc brakes (217 x 24)
	Parking brake	Mechanical expanding brake on drive shaft at rear of transmission
	Auxiliary brake	Exhaust brake (50 kW)
Suspension	Front / rear	Independent wheel suspension (coil spring) with shock absorber / semi-elliptic leaf spring with shock absorber and stabiliser
Frame	Type	Ladder-type frame with reinforcements and crossmembers
Fuel tank capacity		70 litres
Electrical system – batteries		12 Volt (100 AH - 760 A(EN))